



H&R Spezialfedern GmbH & Co. KG, Elspey Straße 36, 57368 Lennestadt
Telefon (02721) 92600 • Telefax (02721) 10708 • www.h-r.com

Instruction for Body Lowering R251 – 29147-2

Indication

The colours e.g. red/blue, mean thick red with small blue. All mentioned sides are in driving direction.

Mounting

In the passenger's footwell under the inserted floor you can find the ECU. The module is fitted with Velcro strip under glove compartment. The butt connectors are connected to the two plugs of the suspension-ECU. The other module leads are soldered. Connect the leads as described in the figure and fit the butt connectors. The cables red and black should be soldered.

Test

- replace tape + cable combinder
- shrink the watertight butt connectors
- lift and lower the car with the display-menu
- check the connections

An axle alignment must not be done as the ride height is less even at low speed to have enough comfort. If an axle alignment has to be done due to other reasons it has to be done when the car is in original height. In this case the diagnostic plug has to be used.

Adjusting

The lowering can be adjusted for about. ± 20 mm. The hole with 2 points is for adjusting both axles, the hole with 1 point is for adjusting the rear axles. Carefully turn with a small screw driver. One turn clockwise means 2mm lower. After adjusting lift and lower the car with the suspension-menu to realize the adjustment.

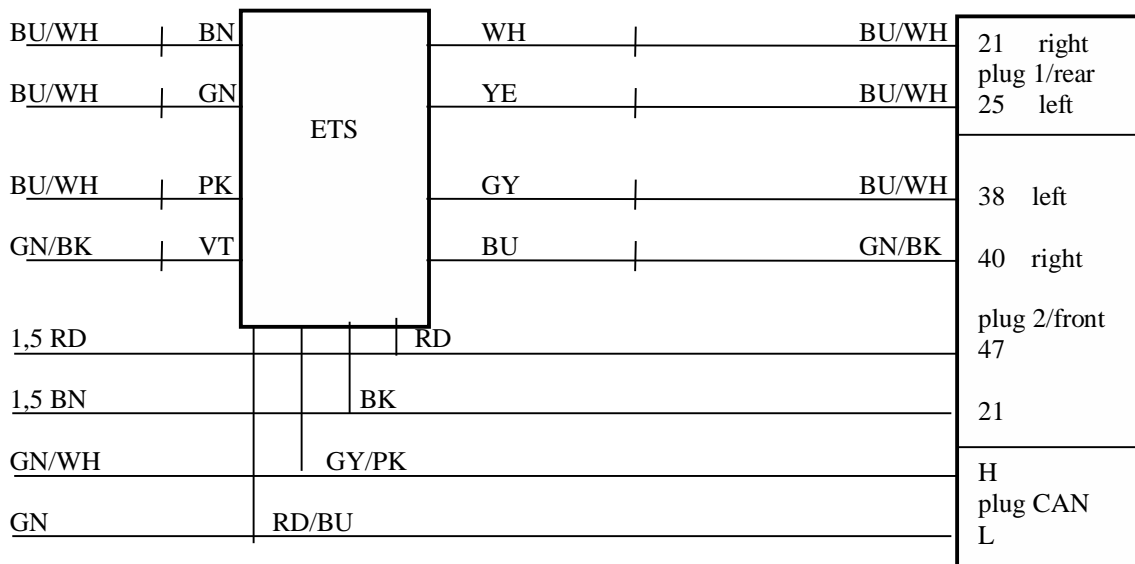
Handling problems

To solve any problems and to bring back the car into the standard level you use the adapter plug. The lowering module is replaced by the plug without changing the cables. The adapter plug is to be carried along in the vehicle.

If there is any doubt about the speed dependent lifting, e.g. because the suspension is too hard at high speed, this can be checked as follows: Behind the adjusting screw for the rear axis is a lamp. If it is flickering with ignition on, the speed-control is working.

If any problems appear it is necessary to have the height of the car in each position before and after installation of the ETS.

ECU



The cable colours

- GN/green
- BN/brown
- VT/violet
- WH/white
- RD/red

- GY/grey
- PK/pink
- YE/yellow
- BU/blue
- BK/black

The CAN- plug has 2-poles and sits between plug 1 and plug 2.

